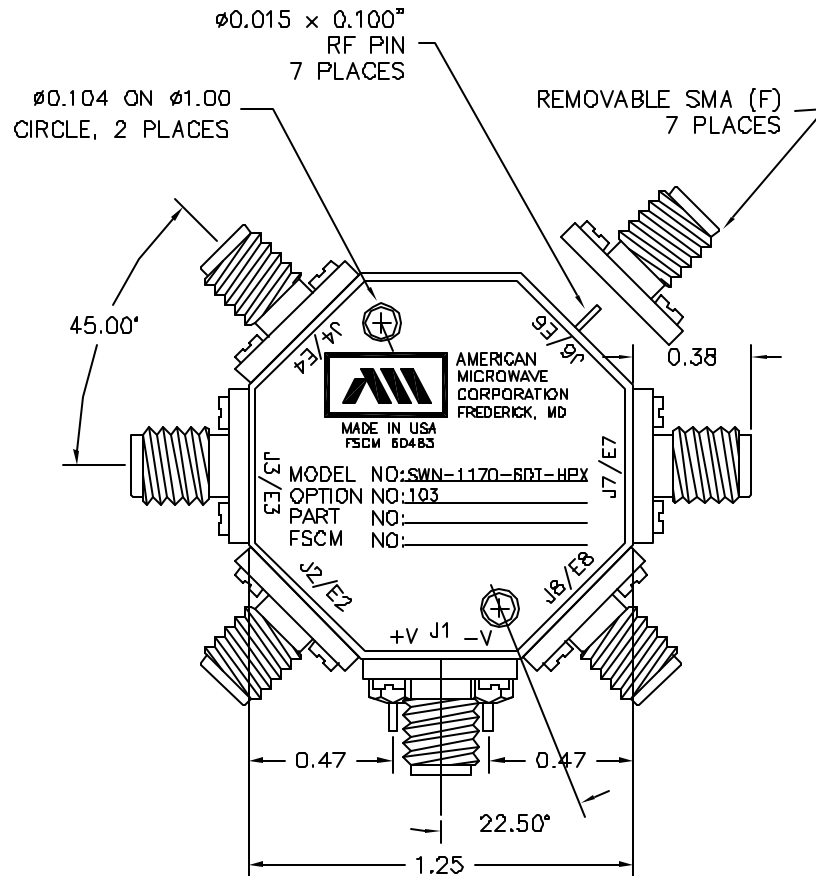
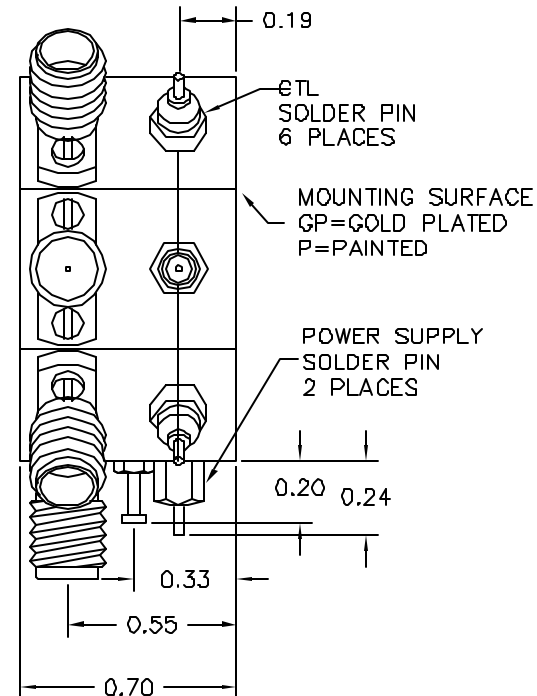


DESCRIPTION

AMC MODEL SWN-1170-6DT-HPX OPTION: 103 IS AN ABSORPTIVE/NON-REFLECTIVE SINGLE POLE SIX THROW SWITCH DESIGNED TO OPERATE OVER THE FULL 0.5 TO 18 GHz FREQUENCY RANGE.



MECHANICAL OUTLINE



AMERICAN MICROWAVE CORPORATION

7311-G GROVE ROAD
 FREDERICK, MARYLAND 21704 USA
 TEL: 301-662-4700 FAX: 301-662-4938
 WEBSITE: www.americanmicrowavecorp.com
 E-MAIL: sales@americanmicrowavecorp.com
 ISO 9001:2000 CERTIFIED



ALL DIMENSIONS ARE IN INCHES
 TOLERANCES:
 X.XX ± 0.020
 X.XXX ± 0.010

APPROVALS		DATE	TITLE			REV.
DRAWN	<i>FDS</i>	10/17/08	MECHANICAL OUTLINE SWN-1170-6DT-HPX OPTION: 103			-
CHECKED			SIZE	FSCM NO.	DWG NO.	
ISSUED			A	60483	100-7527	
			SCALE	N:S	SHEET	2 OF 4

REVISIONS				
ZONE	REV.	DESCRIPTION	DATE	APPROVED
-	-	ORIGINAL RELEASE JOB# 509228	10/17/08	

DESCRIPTION

AMC MODEL SWN-1170-6DT-HPX OPTION: 103 IS AN ABSORPTIVE/NON-REFLECTIVE SINGLE POLE SIX THROW SWITCH DESIGNED TO OPERATE OVER THE FULL 0.5 TO 18 GHz FREQUENCY RANGE.

SPECIFICATIONS

- FREQUENCY RANGE: 0.5 TO 18 GHz
- INSERTION LOSS: 4.25 dB MAXIMUM
- ISOLATION: 0.5-2 GHz: 60 dB MINIMUM
2-18 GHz: 70 dB MINIMUM
- VSWR: 2.0:1
- RISE TIME: 10 nSec TYPICAL, 15 nSec MAXIMUM
- FALL TIME: 10 nSec TYPICAL, 15 nSec MAXIMUM
- DELAY ON: 75 nSec TYPICAL, 100 nSec MAXIMUM
- DELAY OFF: 75 nSec TYPICAL, 100 nSec MAXIMUM
- POWER INPUT: (CW)+20 dBm (STANDARD)
+10 dBm (HIGH SPEED)
- SURVIVAL POWER: 1 WATT CW, 10 WATTS PEAK 1 μ Sec
- CONTROL: TTL LOGIC "0" = ON
TTL LOGIC "1" = OFF
- POWER SUPPLY: +5V @ 300 mA MAXIMUM
-5V @ 100 mA MAXIMUM
- CONNECTORS:
RF: SMA FEMALE
CONTROL: SOLDER PIN
- SIZE: 1.25" (L) x 1.25" (W) x 0.70" (H)

OPTIONS:

- 103: VIDEO FILTERS

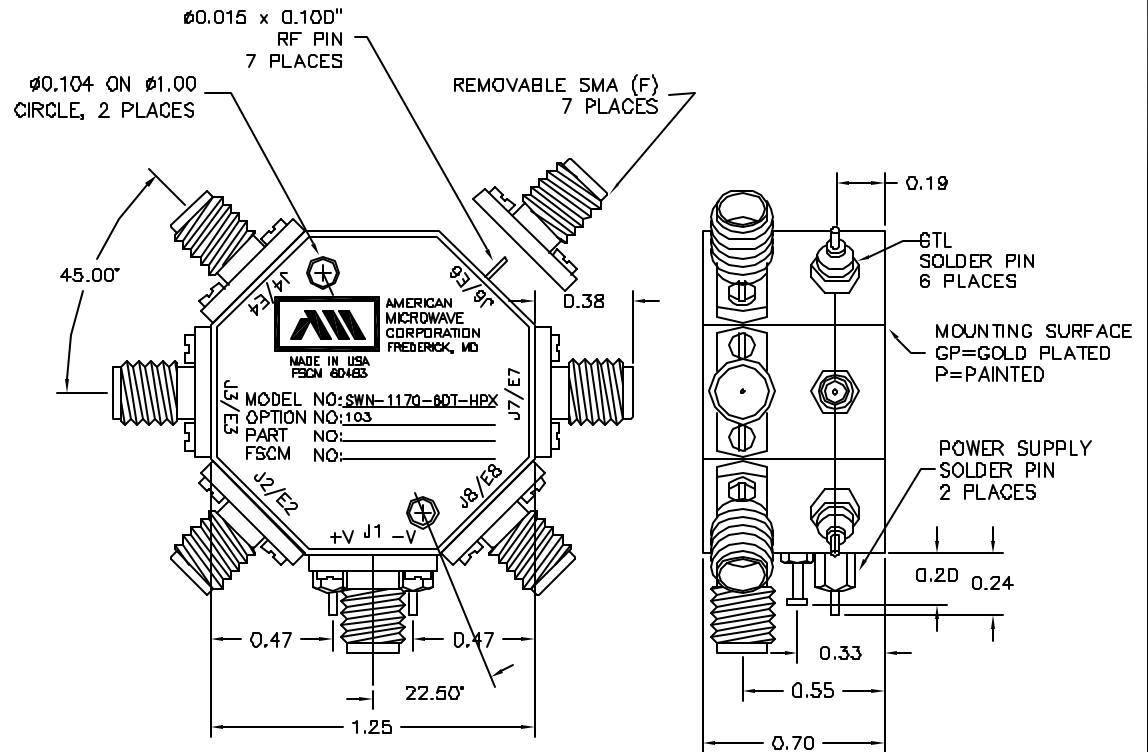
ENVIRONMENTAL RATINGS:

- TEMPERATURE: -55°C TO +85°C (OPERATING)
-65°C TO +125°C (STORAGE)
- HUMIDITY: MIL-STD-202F, METHOD 103B COND. B
- SHOCK: MIL-STD-202F, METHOD 213B COND. B
- VIBRATION: MIL-STD-202F, METHOD 204D COND. B
- ALTITUDE: MIL-STD-202F, METHOD 105C COND. B
- TEMPERATURE CYCLE: MIL-STD-202F, METHOD 107D COND. A

NOTE: SPECIFICATIONS WILL VARY OVER OPERATING TEMPERATURE
NOTE: THE ABOVE SPECIFICATIONS ARE SUBJECT TO CHANGE OR REVISION

ALL DIMENSIONS ARE IN INCHES
TOLERANCES:
XXX ± 0.020
XXX ± 0.010

REVISIONS				
ZONE	REV.	DESCRIPTION	DATE	APPROVED
	-	ORIGINAL RELEASE JOB# 509228	10/17/05	



AMERICAN MICROWAVE CORPORATION

7311-G GROVE ROAD
FREDERICK, MARYLAND 21704 USA
TEL: 301-662-4700 FAX: 301-662-4938
WEBSITE: www.americanmicrowavcorp.com
E-MAIL: sales@americanmicrowavcorp.com
ISO 9001:2000 CERTIFIED



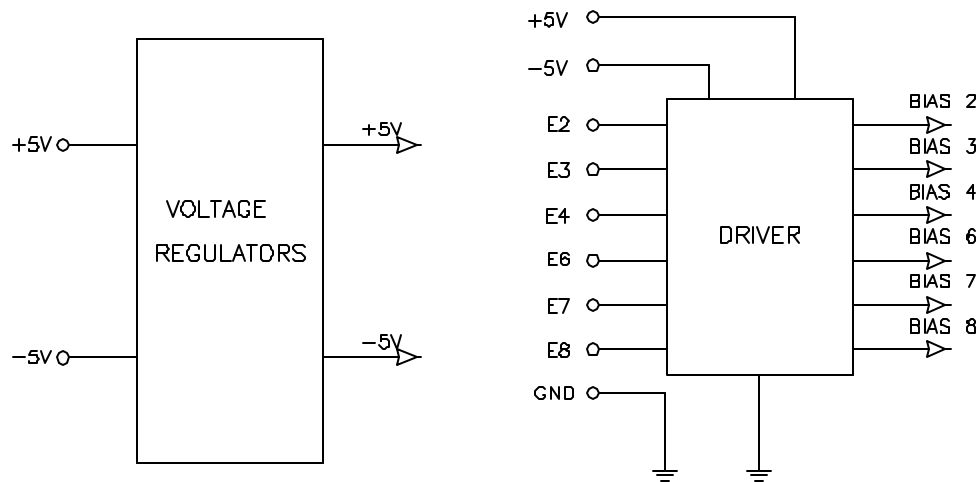
APPROVALS		DATE	TITLE		
DRAWN <i>FDS</i>		10/17/05	PRODUCT FEATURE SWN-1170-6DT-HPX OPTION: 103 0.5-18 GHz, SINGLE POLE SIX THROW SWITCH		
CHECKED			SIZE	FSCM NO.	DWG NO.
ISSUED			A	60483	100-7527
			SCALE	N:S	SHEET 1 OF 4

DESCRIPTION

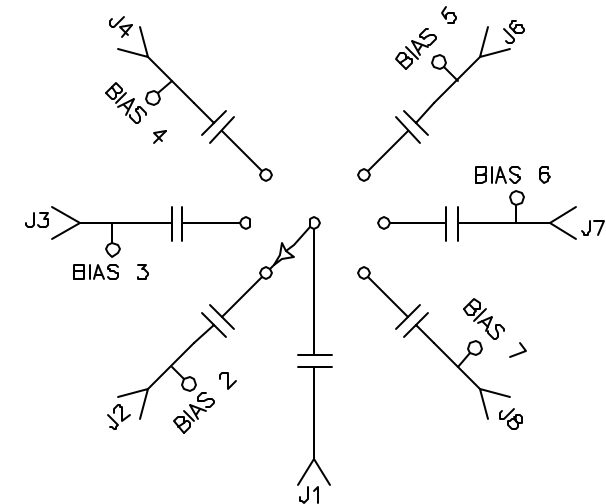
AMC MODEL SWN-1170-6DT-HPX OPTION: 103 IS AN ABSORPTIVE/NON-REFLECTIVE SINGLE POLE SIX THROW SWITCH DESIGNED TO OPERATE OVER THE FULL 0.5 TO 18 GHz FREQUENCY RANGE.

REVISIONS				
ZONE	REV.	DESCRIPTION	DATE	APPROVED
	-	ORIGINAL RELEASE JOB# 509228	10/17/05	

FUNCTIONAL BLOCK DIAGRAM



BLOCK DIAGRAM



AMERICAN MICROWAVE CORPORATION

7311-G GROVE ROAD
 FREDERICK, MARYLAND 21704 USA
 TEL: 301-662-4700 FAX: 301-662-4938
 WEBSITE: www.americanmicrowavecorp.com
 E-MAIL: sales@americanmicrowavecorp.com
 ISO 9001:2000 CERTIFIED



APPROVALS		DATE	TITLE		
			FUNCTIONAL BLOCK DIAGRAM		
			SWN-1170-6DT-HPX		
			OPTION: 103		
			0.5-18 GHz, SINGLE POLE SIX THROW SWITCH		
DRAWN	<i>FDS</i>	10/17/05	SIZE	PSCM NO.	DWG NO.
CHECKED			A	60483	100-7527
ISSUED			SCALE	N:S	SHEET 3 OF 4
					REV. -